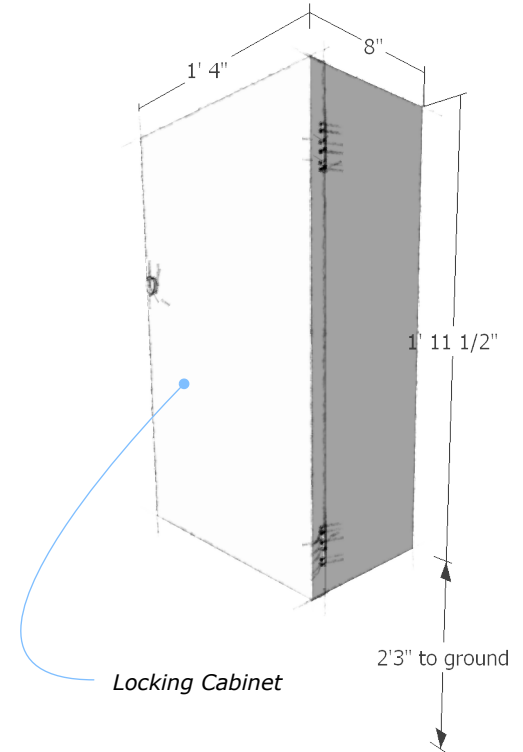
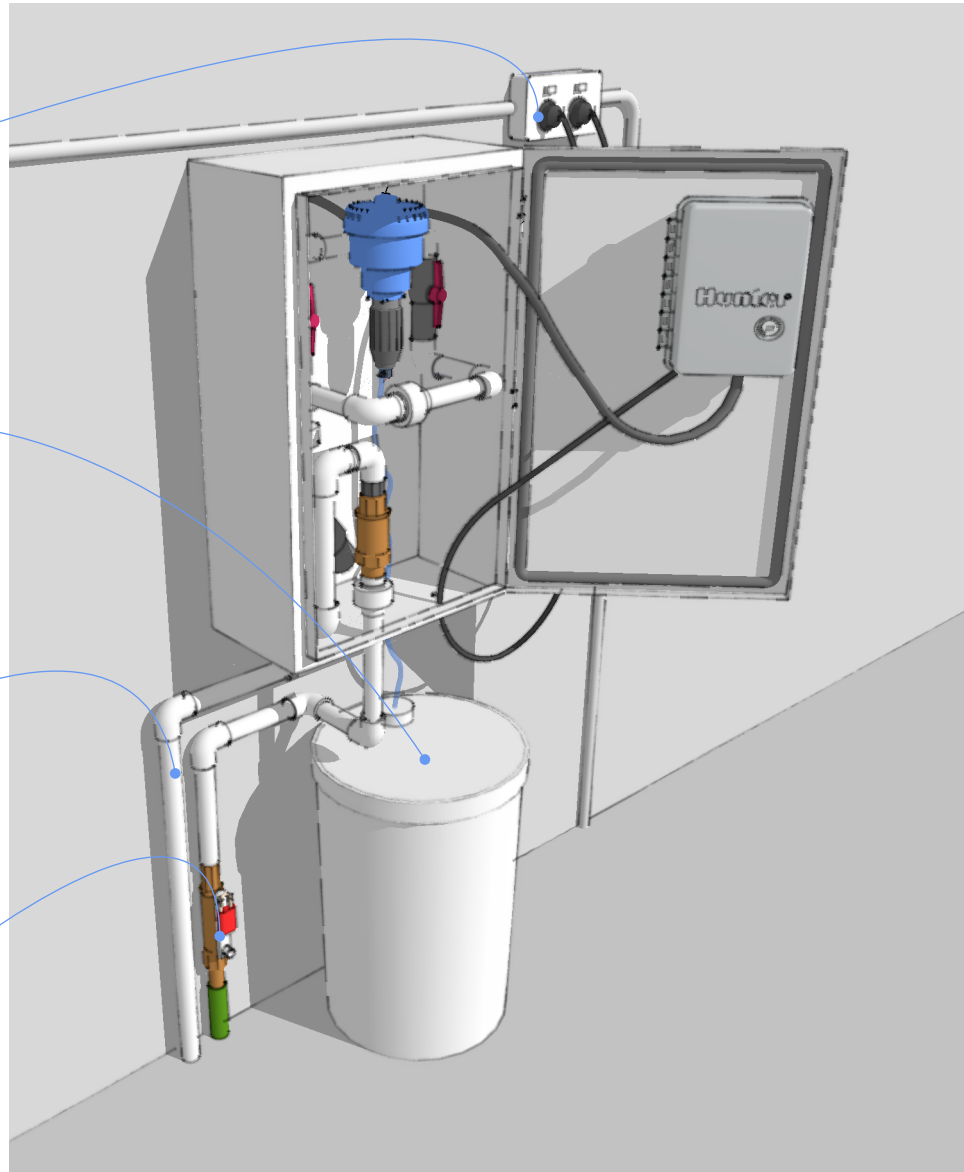


Double GPO  
by others.  
Installed 4'3"  
minimum from ground

2.5/5 gallon. Fertiliser  
container

3/4" pvc irrigation line  
connected to Fytowall  
(See note)

Water inlet.  
Lockable 3/4" Gate valve  
female thread, by others



Note: Power and water supply is required to the Fytowall. Interruption to either will result in plant degradation or failure.

The Irrigation cabinet may be located some distance from the wall. In this case a 3/4" PVC irrigation line must be run between the cabinet and Fytowall and may need to be installed before floor finishes.

Regular maintenance access is required to Irrigation cabinet.

Date	03/19/10
Drawn	TP 6 USA
Drawn:	BM